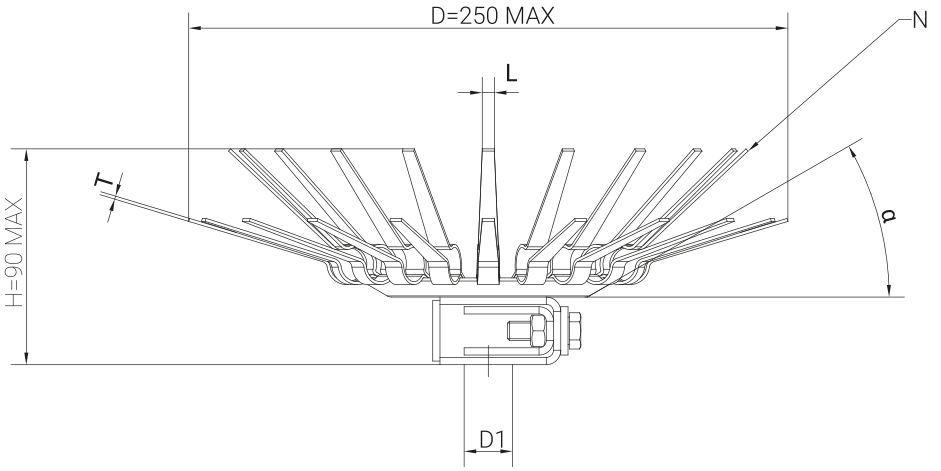




DM Discs

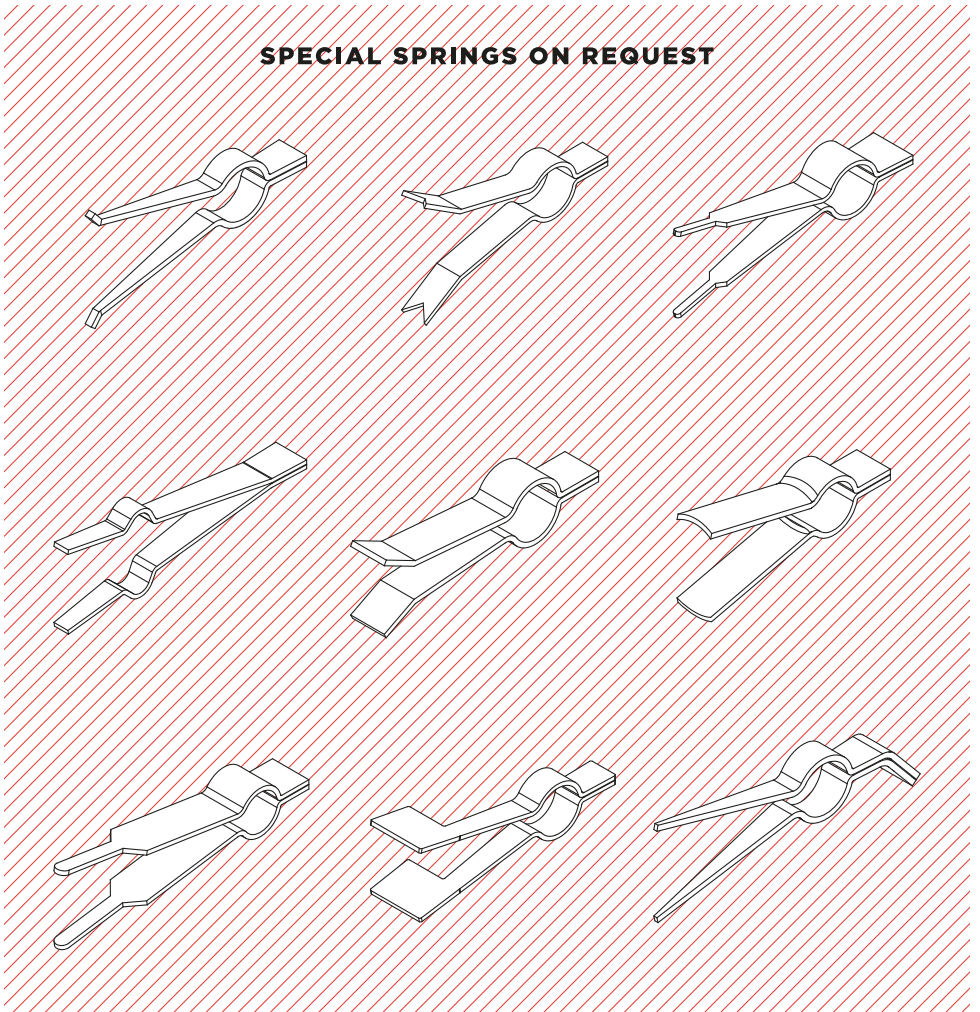
COFERMETAL · ANODIC OXIDATION · DISCS



CONFIGURATIONS

COLLAR DIAMETER FOR ROD (D1)	mm	ø19	ø25
SPRING NUMBER (N)	nr	10	15 20 30
SPRING THICKNESS (T)	mm	1.27	1.57
SPRING TIP WIDTH (L)	mm	1	2 3 4 5
DISC ANGLE (α)		0°	30° 45°

SPECIAL SPRINGS ON REQUEST



COFERMETAL · ANODIC OXIDATION · DISCS